

TRACK SYSTEMS FOR TRAILERS AND TOWED SPRAYER TRAILERS

ST-012 ST-015

Soucy

TRACK



The Soucy Track ST-012 and ST-015 modular track systems install with ease without any major modifications on the majority of trailers and towed sprayer systems available on the market. Benefits of our ST-012 and ST-015 track kits over standard equipment include increased flotation significantly decreasing ground compaction. Our track system also enhances the stability of the vaporization ramps over rough terrain making for improved uniformity of spray deposition resulting in better ground absorption.

REDUCED GROUND COMPACTION = SUPERIOR PERFORMANCE

Our track kit distributes the weight over a much larger surface than wheels enhancing weight distribution thus reducing the pressure exerted on a given area.

INCREASED FLOTATION = EFFICIENCY & FLEXIBILITY

The increased flotation that our trailer kits provide will allow you to enter your fields when you need to and get the job done without having to worry about harsh ground conditions. Our sprayer track kit becomes the equipment of choice for efficient spraying all while minimizing the imprint left on your fields.



Simple track tensioning system designed for easy access.



Grease lubricated wheel axles for enhanced longevity.



Rubber track profile designed for increased flotation and high load applications.



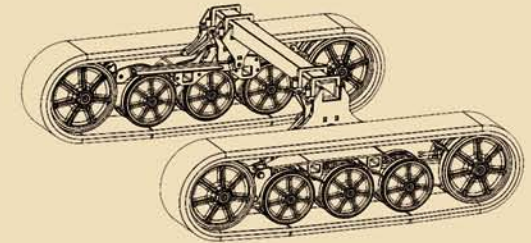
Versatile adapter system made for a variety of trailer systems.

ENGINEERED FOR EFFICIENCY & DURABILITY!

- ✓ Minimalist track beam and axle train design made of high quality steel for superior serviceability and durability.
- ✓ Durable steel-belt reinforced rubber track compliant for various applications.
- ✓ Ultra resistant rubber wheels made of ultra high molecular weight polymer (UHMW) with resistant rubber lining.



TECHNICAL DATA ST-012 / ST-015



DIMENSIONS

Description	Millimeters	Inches
(A) Total length	2 770	109
(B) Tension wheel diameter	560	22
(C) Support wheel diameter	440	17
(D) Height	720	28,25
(E) Track width	310 / 380	12 / 15
(F) Support beam dimensions	127 x 127	5 x 5

Total weight

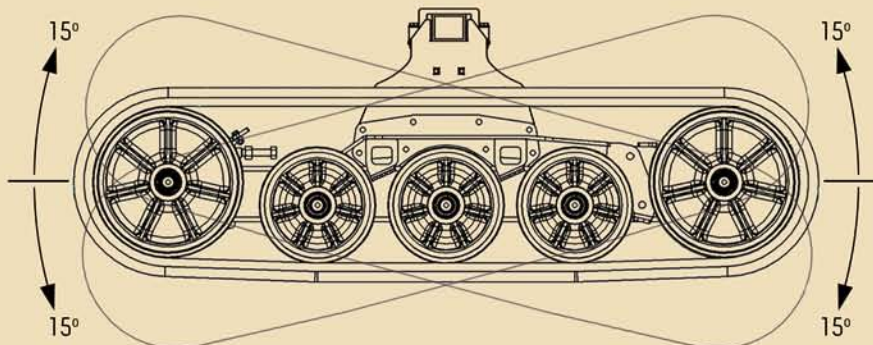
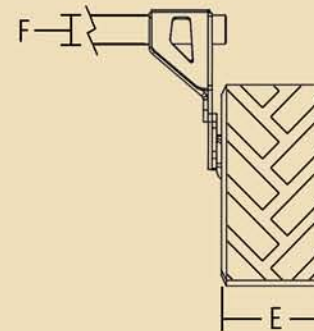
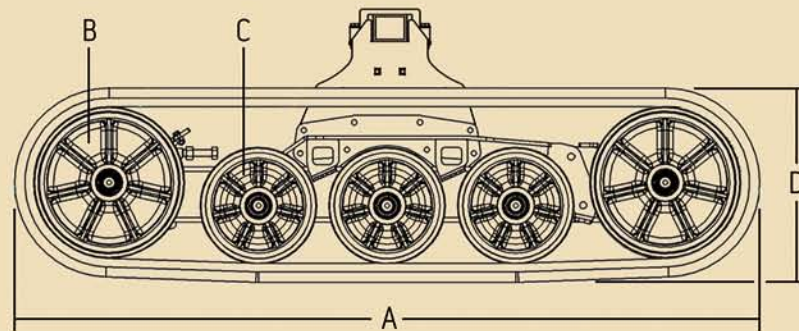
1 000 kg / 2 200 lbs

Load capacity

6 000 kg / 15 000 lbs

Track kit includes

- (2) Tracks and track beams (pre-assembled)
- (1) Support beam (1 829 mm / 72 in)
- (2) Stiffener bars
- (4) U-clamps



The Soucy Track system allows a slope of 15° following the imperfections of the ground.

Soucy
TRACK

TOLL-FREE: 1 877 474-6665

E-MAIL: soucy.track@soucy-group.com

www.soucy-track.com

www.soucy-group.com