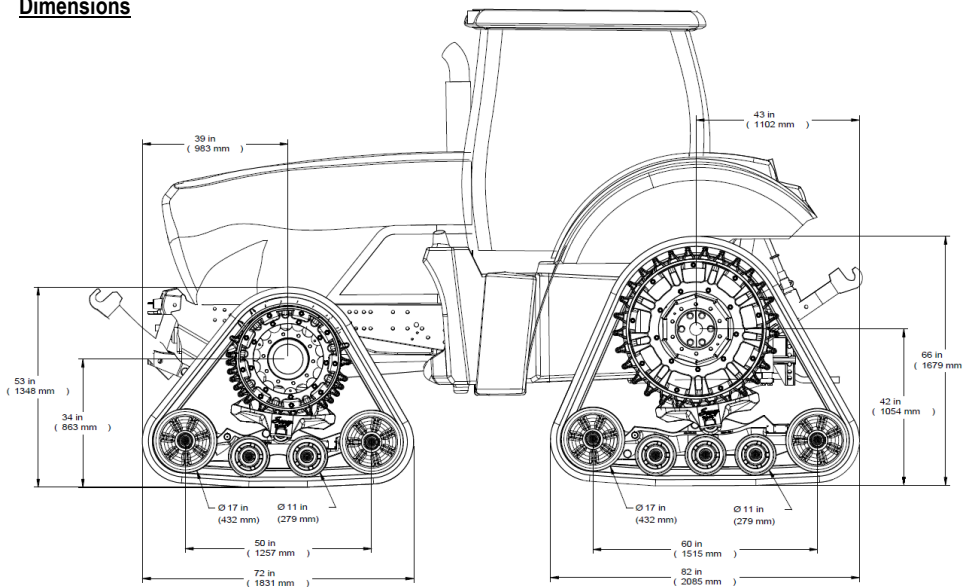


## Dimensions



- Complete track system weight – including brackets:
  - 12" tracks: 7 525 lb (3 415 kg)
  - 16" tracks: 7 920 lb (3 595 kg)

## Shipping (for reference only – do not quote transport based on this information)

- Total shipping weight: approximately 9 300 lb (4 220 kg)
- Packaging:
  - 3 crates 90" x 72" x 31"
  - 1 crate 71" x 41" x 31"
  - 3 skids 90" x 60" x 18"

## Installation

- Installation time: approximately 16 man-hours (minimum 2 persons recommended for easy installation).
- Bracket can be left on tractor when reinstalling tires if required.
- No modification (welding, cutting, etc.) required on tractor. Removing some specific types of attachments may be required.
- No specialized tools or lifting equipment required.

## Compatibility

- Compatible with models from most major tractor brands from 80 to 215 hp
- Generally compatible with common attachments (front hitch, GPS, etc.)

## Features (standard)

- 2 available track widths: 12" and 16"
- Adjustable tread spacing from 59" to 89" c/c in 1" increments
- Hydraulic tensioner with nitrogen accumulator
- Oil bath hubs (500 hours or annual oil change interval)
- Available narrow and wide midrollers with rubber coating and UHMW plastic idler wheels.
- Front brackets and rear subframe transfer load from undercarriage to tractor frame

## Load & speed rating

- Maximum transport speed: up to 23.7 mph (38 km/h) with 31 mph transmission
- Maximum transport load: up to 33 400 lb (15 000 kg) if tractor allows

## Maintenance

- One grease point per undercarriage (tensioner pivot) – 25 hours intervals
- Maintenance-free pivot pin with fiber bushings
- No daily or weekly maintenance on hubs

## Benefits

- Increased flotation: up to 4 times as much footprint as tire of equivalent width
- Narrow footprint: high flotation solution that can still travel between rows
- Increased traction thanks to large footprint
- Increased ground clearance: 25" (635 mm) – comparable to high crop tractor
- Improved stability: ideal for spraying close to crop canopy
- Maneuverable: turning radius within 15% of that of wheeled tractor

