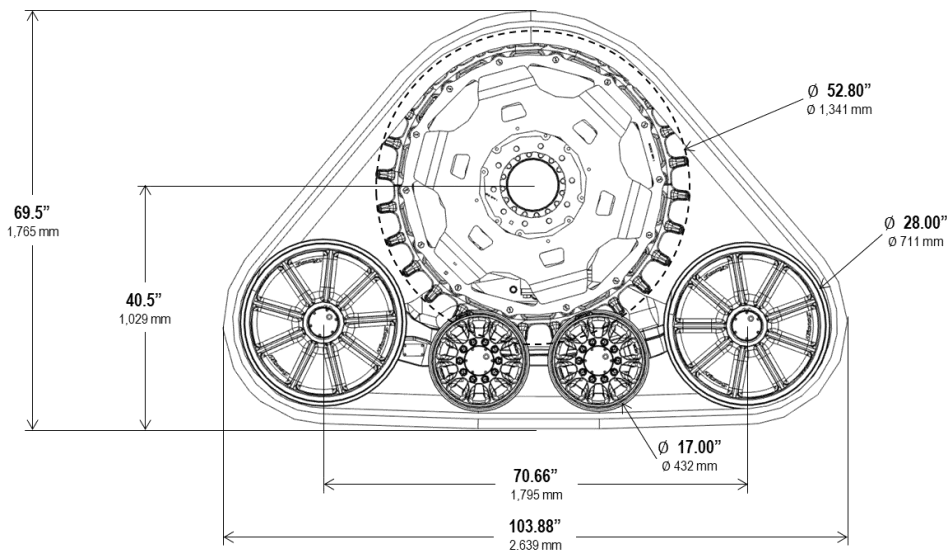


Dimensions



- Complete kit (4 tracks and brackets): ~ 9,420 lb (4,274 kg)

Shipping (approximate values – do not use for shipping quotes)

- Shipping weight: 11,510 lb (5,220 kg)
- Shipping dimensions: 1 crate 90" x 72" x 31"
- 2 crates 90" x 72" x 39"
- 4 skids 90" x 70" x 22"

Compatibility

- 4-track configuration available on John Deere R4030, R4038 and R4044 sprayers
 - Available on all machine configurations, including:
 - Injection system
 - Dry box
 - Not compatible with AutoTrac RowSense - requires modifications to sensor mounts

Load & speed rating

- Speed reduction: approximately 25% (varies depending on tires)
- Maximum achievable top speed: 23.5 mph (37.5 km/h)
- Maximum transport load at maximum speed: 22,000 lb (10,000 kg) per axle (max duration: 30 min)
- Maximum field load at speeds < 13 mph (20 km/h): 36,000 lb (16,300 kg) per axle

Features (standard)

- 16" wide tracks with 1.625" tread depth. Low void ratio for maximum contact on road and hard ground
- Mechanical tension adjustment
- Oil bath hubs on idlers and midrollers
- Bracket assembly fitted to sprayer knuckle to transfer load on structural components
- Tracks can be removed with brackets left on sprayer (requires 46" rims – compatibility varies)

Installation

- Installation times:
 - Complete track system: 15 man-hours (requires 2 persons minimum)
- No specialized tools required.
- Requires a jack capable of reaching under sprayer axle and have sufficient range to account for increased clearance on tracks

Maintenance

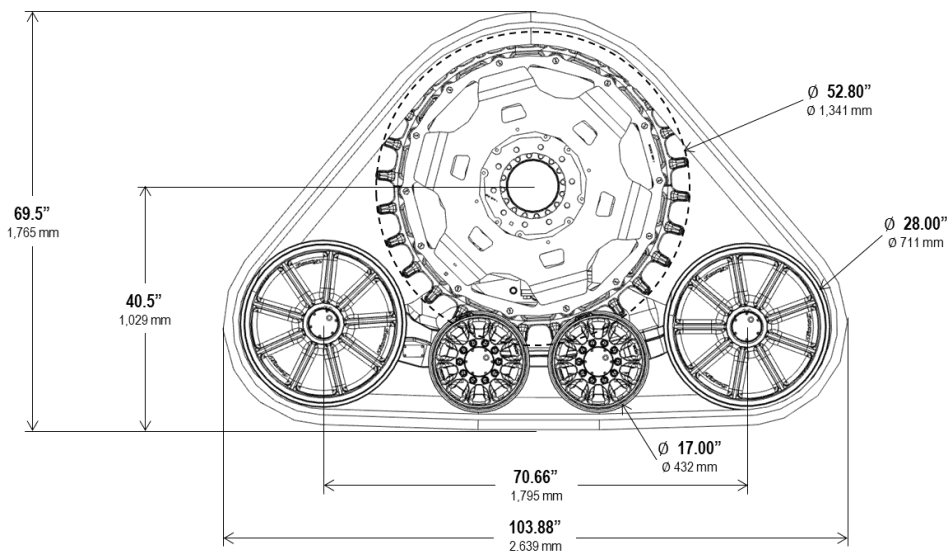
- No daily or weekly maintenance points. Oil bath hubs require 250 hours or annual oil change
- Maintenance-free pivot pin with fiber bushings
- Final drive oil should be changed twice as often as recommended in manufacturer operator manual

Benefits

- Footprint and ground pressure:
 - 1136 sq. in per track vs 280 sq. in per tire (380/90R46 tires)
 - 16 psi on tracks vs 64 psi at maximum axle load
- Reduced compaction area compared to floater tires
- Increased boom stability due to long footprint
- Reduced rutting improves operator comfort and harvest performance in low-podded crops



Dimensions



- Complete kit (30 Series - 2 tracks and brackets): ~ 4,920 lb (2,232 kg)
- Complete kit (R Series - 2 tracks and brackets): ~ 4,710 lb (2,137 kg)

Shipping (approximate values – do not use for shipping quotes)

- Shipping weight: 5,920 lb (2,690 kg)
- Shipping dimensions: 1 crate 80" x 67" x 31"
- 1 crate 90" x 72" x 39"
- 2 skids 90" x 70" x 22"

Compatibility

- 2-track configuration available on John Deere 4730 and 4830 sprayers
 - Available on all machine configurations, except high clearance kit (not recommended)
- 2-track configuration available on John Deere R4030, R4038 and R4044 sprayers
 - Available on all machine configurations

Load & speed rating

- Speed reduction: approximately 20% (varies depending on tires)
- Maximum achievable top speed: 25 mph (40 km/h)
- Maximum transport load at maximum speed: 22,000 lb (10,000 kg) per axle (max duration: 30 min)
- Maximum field load at speeds < 13 mph (20 km/h): 36,000 lb (16,300 kg) per axle

Features (standard)

- 16" wide tracks with 1.625" tread depth. Low void ratio for maximum contact on road and hard ground
- Mechanical tension adjustment
- Oil bath hubs on idlers and midrollers
- Bracket assembly fitted to sprayer knuckle to transfer load on structural components
- Tracks can be removed with brackets left on sprayer (requires 46" rims – compatibility varies)

Installation

- Installation times:
 - Complete track system: 7.5 man-hours (requires 2 persons minimum)
- No specialized tools required.
- Requires a jack capable of reaching under sprayer axle and have sufficient range to account for increased clearance on tracks

Maintenance

- No daily or weekly maintenance points. Oil bath hubs require 250 hours or annual oil change
- Maintenance-free pivot pin with fiber bushings
- Final drive oil should be changed twice as often as recommended in manufacturer operator manual

Benefits

- Footprint and ground pressure:
 - 1136 sq. in per track vs 280 sq. in per tire (380/90R46 tires)
 - 16 psi on tracks vs 64 psi at maximum axle load
- Reduced compaction area compared to floater tires
- Increased boom stability due to long footprint
- Reduced rutting improves operator comfort and harvest performance in low-podded crops

